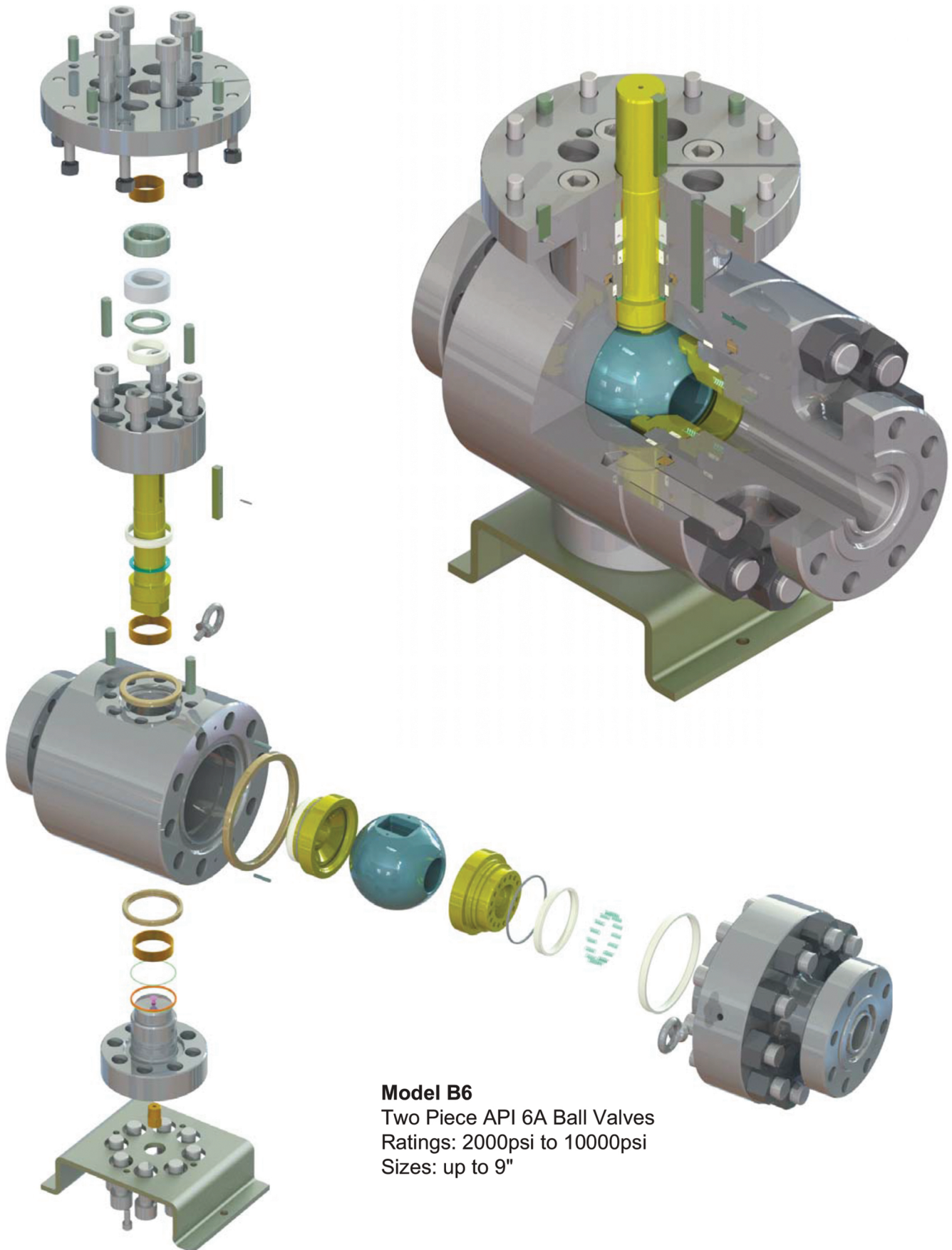


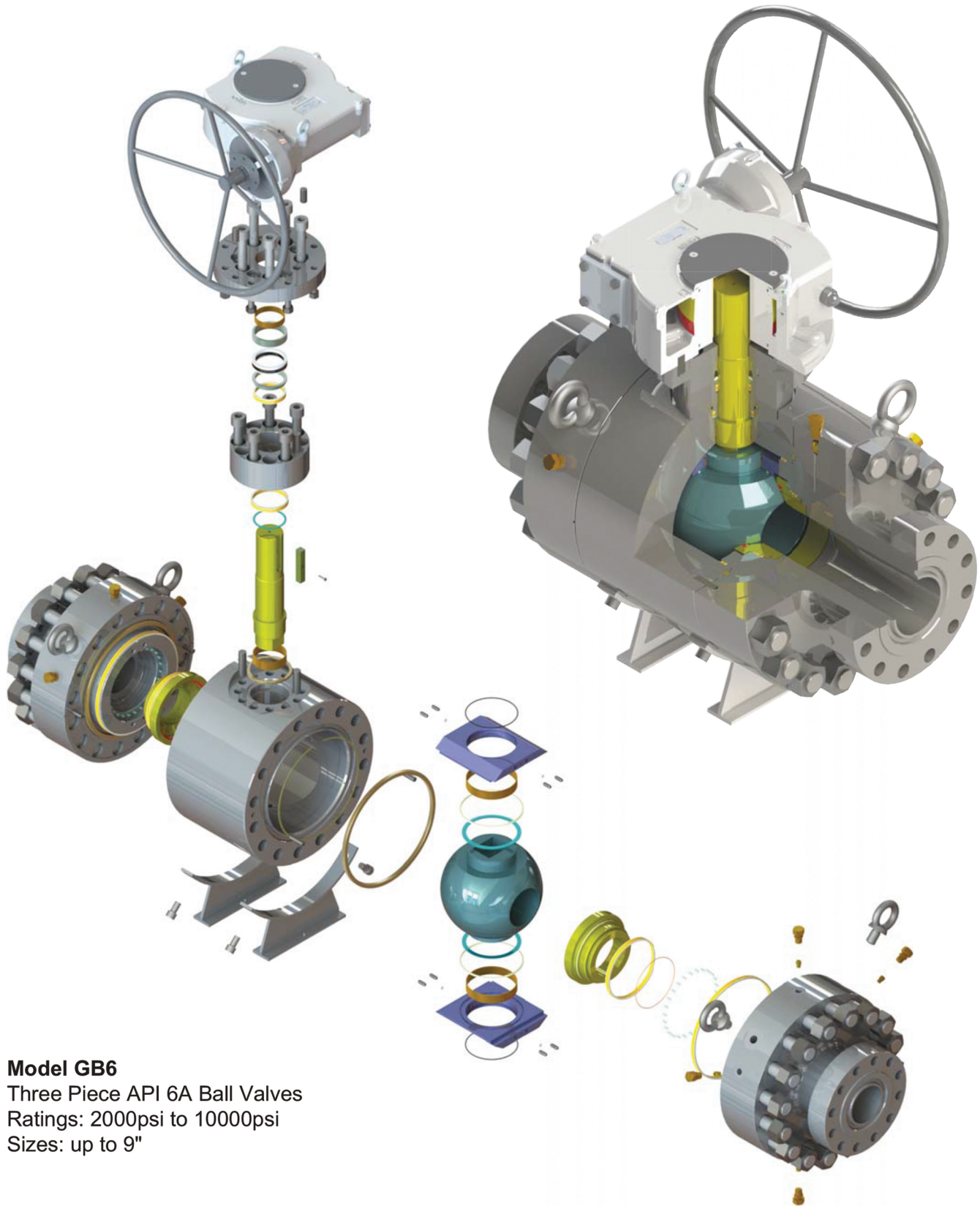
## GVS® API 6A Ball Valves





**Model B6**  
Two Piece API 6A Ball Valves  
Ratings: 2000psi to 10000psi  
Sizes: up to 9"

Note: RTJ, BW and Hub ends are available.

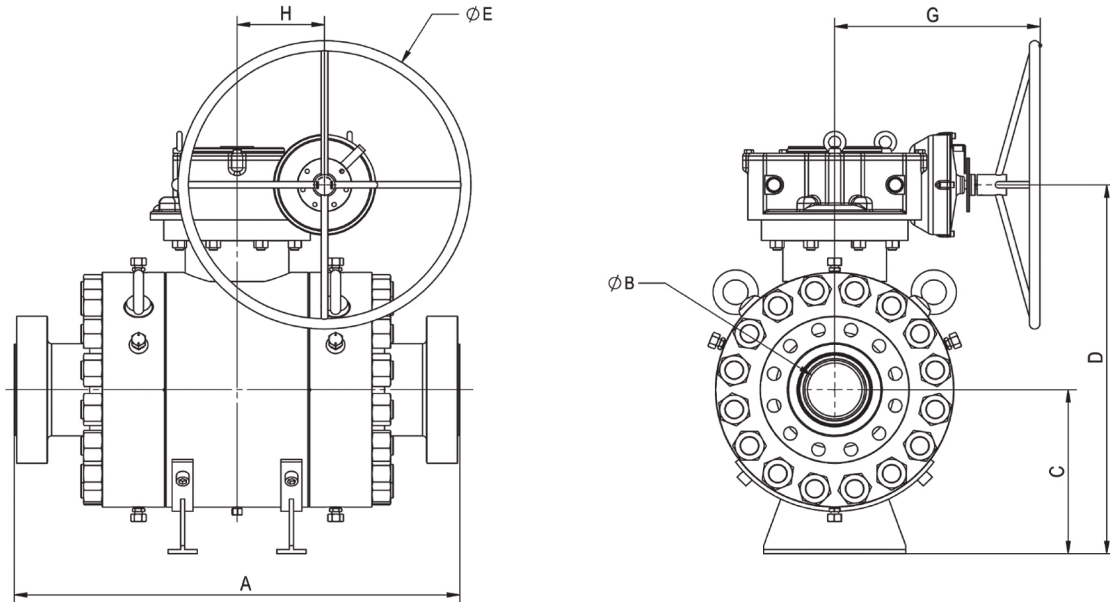


**Model GB6**  
Three Piece API 6A Ball Valves  
Ratings: 2000psi to 10000psi  
Sizes: up to 9"

Note: Face to face dimension of this model can be customized to cater customers' needs in special applications.



# DIMENSIONS



## 2,000psi Working Pressure

VALVE SIZE	BORE SIZE		A		C		D		E		G		H		RTJ GROOVE
	NPS	B	Inch	mm	Inch	mm	Inch	mm	Inch	mm	Inch	mm	Inch	mm	
2-1/16	2.09	53.1	11.62	295	9.06	230	17.72	450	15.75	400	9.45	240	2.36	60	R23
2-9/16	2.59	65.8	13.12	333	9.84	250	19.69	500	15.75	400	10.63	270	2.95	75	R26
3-1/8	3.22	81.8	14.12	359	11.81	300	21.65	550	19.69	500	10.63	270	2.95	75	R31
4-1/16	4.28	108.7	17.12	435	12.99	330	24.80	630	23.62	600	11.81	300	3.54	90	R37
5-1/8	5.16	131.1	29.53	750	14.96	380	30.31	770	23.62	600	14.17	360	4.33	110	R41
7-1/16	7.16	181.9	33.46	850	18.50	470	36.61	930	27.56	700	15.75	400	5.12	130	R45
9	9.03	229.4	47.64	1210	20.87	530	46.46	1180	27.56	700	17.72	450	5.51	140	R49
11	11.03	280.2	53.54	1360	22.05	560	49.21	1250	31.50	800	19.29	490	7.48	190	R53

## 3,000psi Working Pressure

VALVE SIZE	BORE SIZE		A		C		D		E		G		H		RTJ GROOVE
	NPS	B	Inch	mm	Inch	mm	Inch	mm	Inch	mm	Inch	mm	Inch	mm	
2-1/16	2.09	53.1	14.62	371	9.06	230	18.31	465	15.75	400	10.63	270	2.95	75	R24
2-9/16	2.59	65.8	16.62	422	9.84	250	20.08	510	15.75	400	11.81	300	3.54	90	R27
3-1/8	3.22	81.8	15.12	384	11.81	300	21.65	550	19.69	500	11.81	300	3.54	90	R31
4-1/16	4.28	108.7	18.12	460	12.99	330	25.00	635	23.62	600	14.17	360	4.33	110	R37
5-1/8	5.16	131.1	29.53	750	14.96	380	30.51	775	23.62	600	15.75	400	5.12	130	R41
7-1/16	7.16	181.9	33.46	850	18.50	470	37.01	940	27.56	700	17.72	450	5.51	140	R45
9	9.03	229.4	47.64	1210	20.87	530	47.24	1200	27.56	700	19.29	490	7.48	190	R49
11	11.03	280.2	53.54	1360	22.05	560	49.21	1250	31.50	800	19.69	500	8.27	210	R53

## 5,000psi Working Pressure

VALVE SIZE	BORE SIZE		A		C		D		E		G		H		RTJ GROOVE
	NPS	B	Inch	mm	Inch	mm	Inch	mm	Inch	mm	Inch	mm	Inch	mm	
2-1/16	2.09	53.1	14.62	371	9.84	250	20.08	510	15.75	400	11.81	300	3.54	90	R24
2-9/16	2.59	65.8	18.62	473	10.63	270	22.24	565	19.69	500	14.17	360	4.33	110	R27
3-1/8	3.22	81.8	18.62	473	12.60	320	25.20	640	19.69	500	14.17	360	4.33	110	R35
4-1/16	4.28	108.7	21.62	549	14.17	360	29.53	750	23.62	600	15.75	400	5.12	130	R39
5-1/8	5.16	131.1	33.46	850	15.35	390	33.46	850	27.56	700	17.72	450	5.51	140	R44
7-1/16	7.16	181.9	40.98	1041	20.47	520	45.28	1150	27.56	700	19.29	490	7.48	190	R46
9	9.03	229.4	62.99	1600	25.59	650	53.54	1360	31.50	800	19.69	500	8.27	210	R50
11	11.03	280.2	66.93	1700	28.35	720	59.84	1520	35.43	900	23.62	600	10.24	260	R54

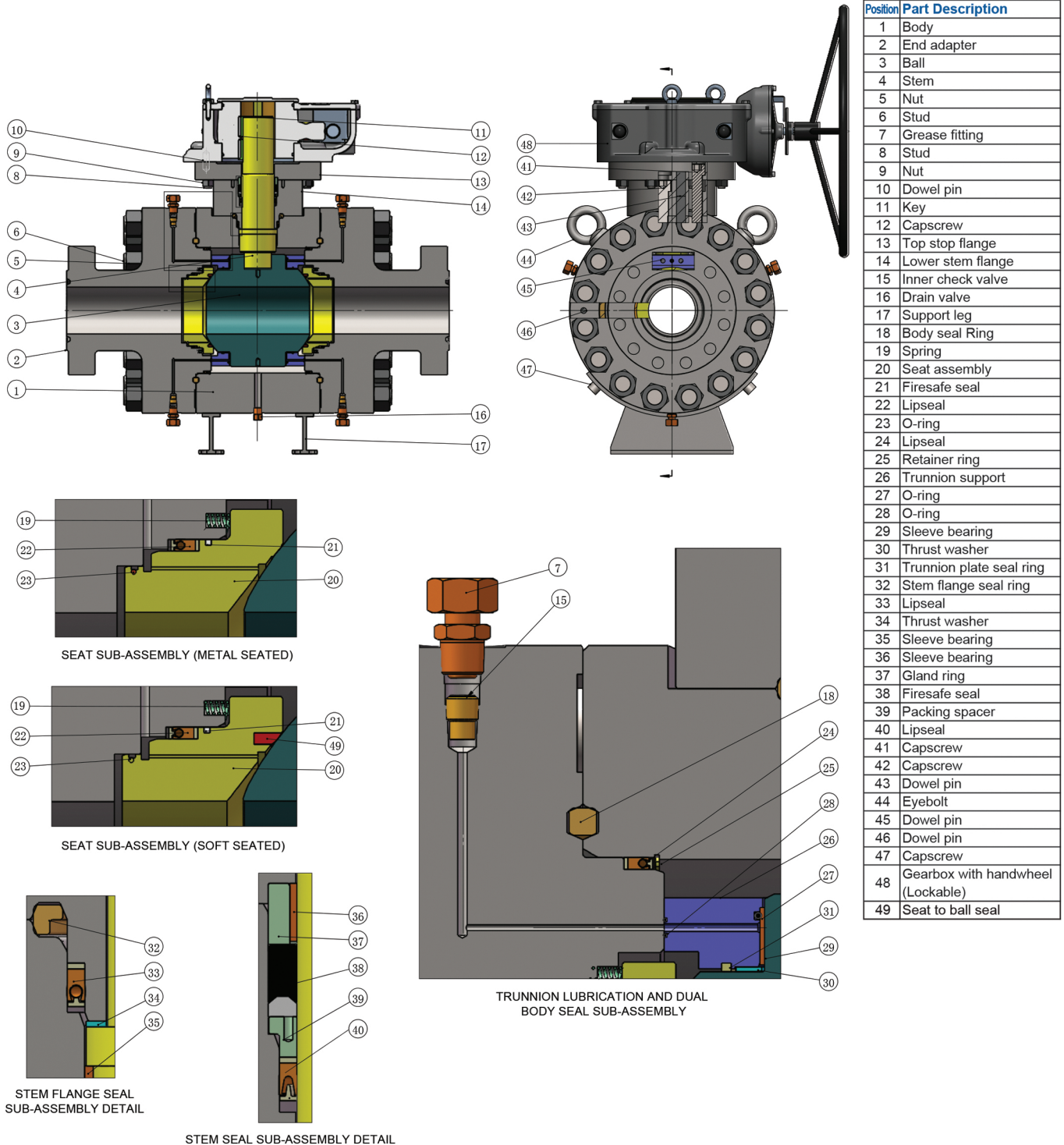
## 10,000psi Working Pressure

VALVE SIZE	BORE SIZE		A		C		D		E		G		H		RTJ GROOVE
	NPS	B	Inch	mm	Inch	mm	Inch	mm	Inch	mm	Inch	mm	Inch	mm	
1-13/16	1.84	46.7	18.25	464	9.84	250	20.47	520	19.69	500	14.17	360	4.33	110	BX151
2-1/16	2.09	53.1	20.50	521	10.24	260	21.65	550	23.62	600	16.54	420	5.12	130	BX152
2-9/16	2.59	65.8	22.25	565	11.81	300	24.02	610	23.62	600	17.72	450	5.51	140	BX153
3-1/16	3.22	81.8	24.38	619	13.39	340	27.56	700	27.56	700	18.90	480	7.48	190	BX154
4-1/16	4.28	108.7	26.38	670	14.96	380	33.46	850	27.56	700	18.90	480	7.48	190	BX155
5-1/8	5.16	131.1	41.93	1065	15.75	400	36.22	920	27.56	700	19.69	500	8.27	210	BX169
7-1/16	7.16	181.9	66.93	1700	21.65	550	51.97	1320	31.50	800	23.62	600	10.24	260	BX156
9	9.03	229.4	70.87	1800	27.56	700	59.06	1500	35.43	900	29.53	750	11.81	300	BX157
11	11.03	280.2	74.81	1900	33.46	850	67.32	1710	39.37	1000	29.53	750	11.81	300	BX158

Notes: Dimensions may be subject to change without notice, please contact the factory for latest updates and non-listed valve sizes. Regular port is available upon request.



## DESIGN FEATURES



## FEATURES

- Bolted body type, 2 & 3 pieces
- Trunnion mounted, double block and bleed
- Double piston effect, single piston effect, or combination of the two seat designs
- Metal to metal seated and soft seated with resin insert options
- All forged steel components
- Full and reduced port
- Available with RTJ, BW and Hub end connections
- Anti-blow out stem design
- Anti-static devices
- Bubble tight shut-off
- NACE MR0175 SOUR
- Firesafe certified to API 6FA

**CANADA**  
ISO 9001:2015: 0052985-01

**CHINA**  
API 6D: 6D-1822  
API 6A: 6A-2250  
API Spec Q1: Q1-3641  
ISO 9001:2015: ISO-3983



energy **API** REGISTRATION NO. Q1-4181

# Certificate of Registration

The American Petroleum Institute certifies that the quality management system of

**GUIDE VALVE LIMITED**  
51 Terecar Drive #1  
Woodbridge, ON  
Canada

has been assessed by the American Petroleum Institute and found to be in conformance with the following:

## API Specification Q1

The scope of this registration and the approved quality management system applies to the:

**Design and Manufacture of Valves for the Oil and Gas Industry**

API approves the organization's justification for excluding:

**Servicing**

**Effective Date:** MAY 12, 2020  
**Expiration Date:** SEPTEMBER 24, 2023  
**Registered Since:** MAY 12, 2020

*Anchal Liddar*  
Vice President of Global Industry Services

This certificate is valid for the period specified herein. The registered organization must continually meet all requirements of API Spec Q1 - Specification for Quality Programs for the Petroleum, Petrochemical and Natural Gas Industry, and the requirements of the Registration Agreement. Registration is maintained and regularly reviewed through annual full system audits. This certificate has been issued from API offices located at 200 Massachusetts Avenue, NW Suite 1100, Washington, DC 20001-5071, U.S.A. It is the property of API, and must be returned upon request. To verify the authenticity of this certificate, go to [www.api.org/compositelist](http://www.api.org/compositelist).

2018-154 | 02.19 | Digital

**Certificate of Authority to use the Official API Monogram**  
License Number: 6D-1822 ORIGINAL

The American Petroleum Institute hereby grants to

**GUIDE VALVE WUXI LIMITED**  
Building M, No. 30 Wanquan Road  
Xishan District  
Wuxi, Jiangsu  
People's Republic of China

the right to use the Official API Monogram<sup>®</sup> on manufactured products under the conditions in the official publications of the American Petroleum Institute entitled API Spec Q1<sup>®</sup> and **API-6D** and in accordance with the provisions of the License Agreement.

In all cases where the Official API Monogram is applied, the API Monogram shall be used in conjunction with this certificate number: **6D-1822**

The American Petroleum Institute reserves the right to revoke this authorization to use the Official API Monogram for any reason satisfactory to the Board of Directors of the American Petroleum Institute.

The scope of this license includes the following: Ball Valves, Plug Valves

QMS Exclusions: Servicing

**Effective Date:** JULY 16, 2024  
**Expiration Date:** JULY 16, 2027

*Anchal Liddar*  
Senior Vice President of Global Industry Services

To verify the authenticity of this license, go to [www.api.org/compositelist](http://www.api.org/compositelist).

**CERTIFICATE OF REGISTRATION**

**Intertek**  
Total Quality Assured

This is to certify that the management system of:

**Guide Valve Limited**  
Main Site: 51 Terecar Drive, Woodbridge, Ontario, L4L 0B5, Canada  
has been registered by Intertek as conforming to the requirements of:

**ISO 9001:2015**  
The management system is applicable to:  
The design and manufacturing of valves.

Certificate Number: 0052985-01  
Initial Certification Date: 06 September 2016  
Date of Certification Detail: 03 August 2017  
Issuing Date: 03 August 2017  
Valid Until: 05 September 2019

**ANAB ACCREDITED**  
MANAGEMENT SYSTEMS CERTIFICATION BODY

**Certificate of Authority to use the Official API Monogram**  
License Number: 6A-2250 ORIGINAL

The American Petroleum Institute hereby grants to

**GUIDE VALVE WUXI LIMITED**  
Building M, No. 30 Wanquan Road  
Xishan District  
Wuxi, Jiangsu  
People's Republic of China

the right to use the Official API Monogram<sup>®</sup> on manufactured products under the conditions in the official publications of the American Petroleum Institute entitled API Spec Q1<sup>®</sup> and **API-6A** and in accordance with the provisions of the License Agreement.

In all cases where the Official API Monogram is applied, the API Monogram shall be used in conjunction with this certificate number: **6A-2250**

The American Petroleum Institute reserves the right to revoke this authorization to use the Official API Monogram for any reason satisfactory to the Board of Directors of the American Petroleum Institute.

The scope of this license includes the following: Gate, Ball, Plug Valves at PSL 1, PSL 2, PSL 3, PSL 4

QMS Exclusions: Servicing

**Effective Date:** JULY 16, 2024  
**Expiration Date:** JULY 16, 2027

*Anchal Liddar*  
Senior Vice President of Global Industry Services

To verify the authenticity of this license, go to [www.api.org/compositelist](http://www.api.org/compositelist).

**Fire Test Report**  
API Standard 6FA, Fourth Edition, June 2018  
"Specification for Fire Testing of Valves"

Performed for  
**Guide Valve Limited**  
[www.gvs-vci.com](http://www.gvs-vci.com)

2 1/16 inch Class 5000 API 6A  
Trunnion Mounted Ball Valve  
Product Code: GVS-6A-5

**GUIDE VALVE**  
LIMITED

51 Terecar Dr., Unit 1  
Woodbridge, ON CANADA L4L 0B5  
Tel: 905-761-7877  
Fax: 905-761-7917

[www.gvs-vci.com](http://www.gvs-vci.com)

**GUIDE VALVE**  
USA LIMITED

16295 North Frwy Service Rd  
Building #17  
Houston, Texas,  
77090, USA.

Toll Free: 1-888-824-5693

[sales@gvs-vci.com](mailto:sales@gvs-vci.com)

Distributor / Agent: